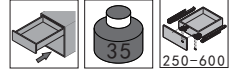
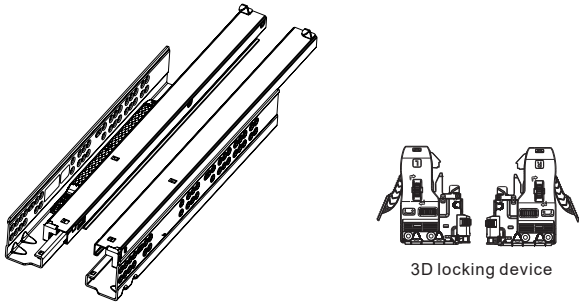


# Instruction for installation

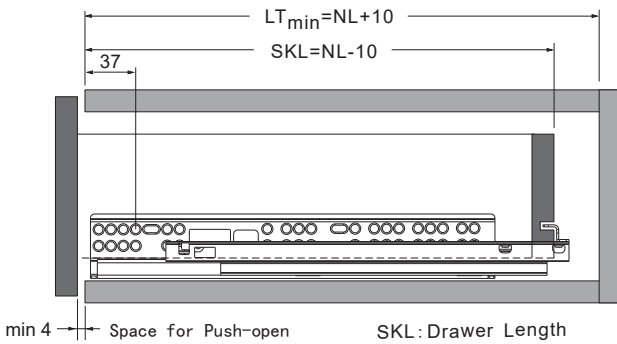


## Push-open Concealed Full Extension Slide(16mm board thickness with 3D locking device)

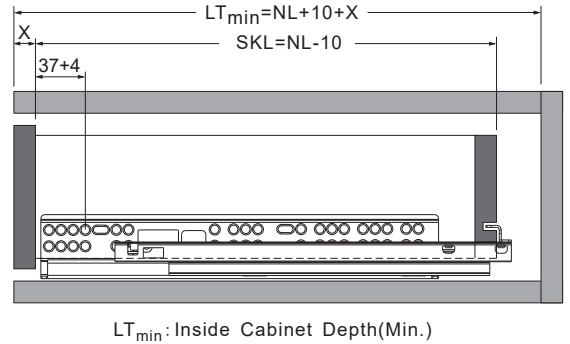


- \* Equipped with mute and more sensitive push-open system
- \* Lightly press to open, stable and smooth
- \* More accurate tool-free adjustment for drawer panel
- \* Height adjustment: 0~+3mm
- \* Side adjustment: ±2mm
- \* Dynamic load capacity: 35kg, 50000 cycles

### Standard drawer

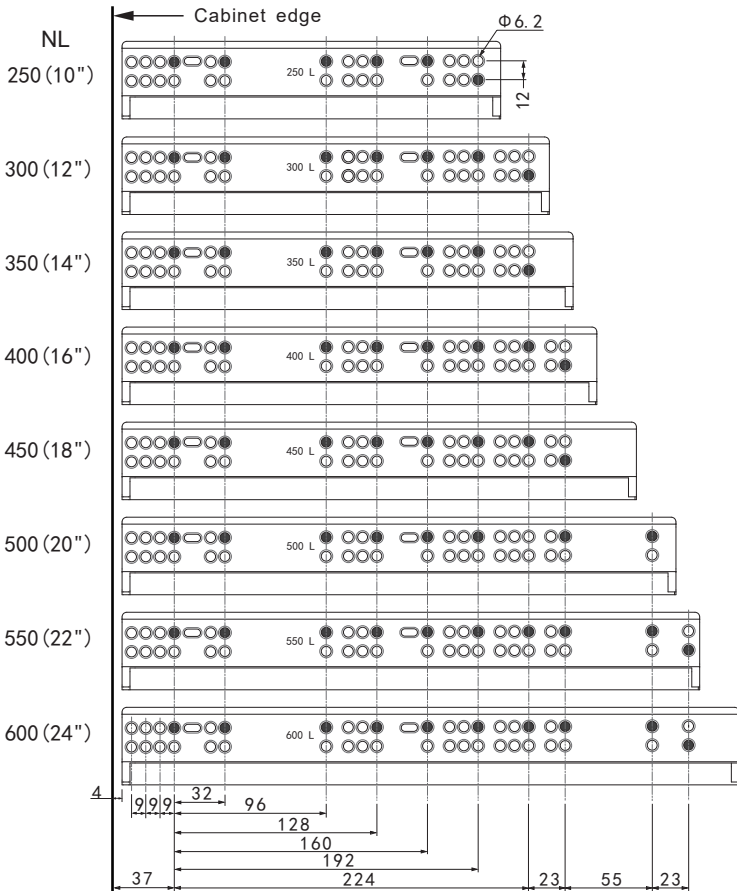


### Inner drawer



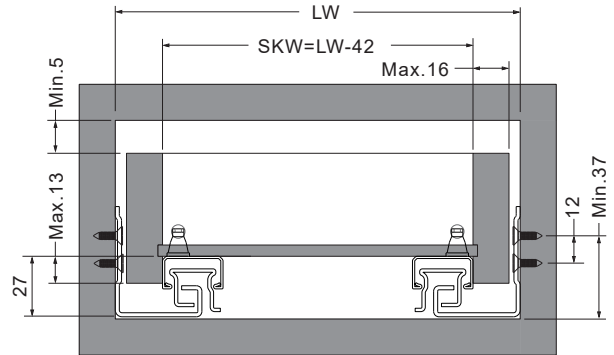
### Screw position

- Proposal of fixing screws
- NL: Nominal Slide Length



### Space requirement in cabinet

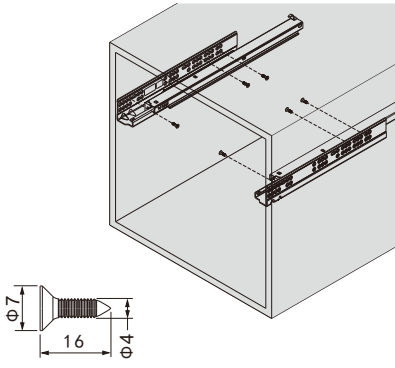
- SKW: Internal Drawer Width
- LW: Internal Cabinet Width



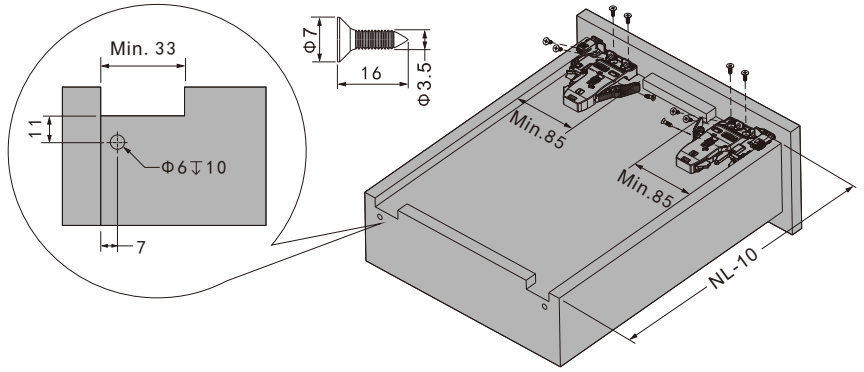
### Product information

Item No.	Drawer Length (SKL)	Pull-out Length (mm)	Packing (Set/Box)
04189-250	240 (10")	225	10
04189-300	290 (12")	285	10
04189-350	340 (14")	335	10
04189-400	390 (16")	385	10
04189-450	440 (18")	435	10
04189-500	490 (20")	485	10
04189-550	540 (22")	535	10
04189-600	590 (24")	585	10

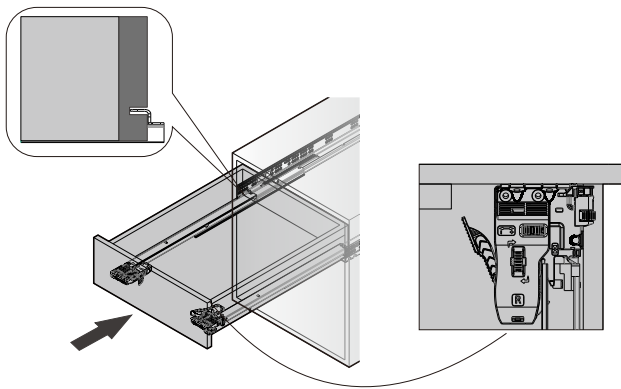
### Slide installation



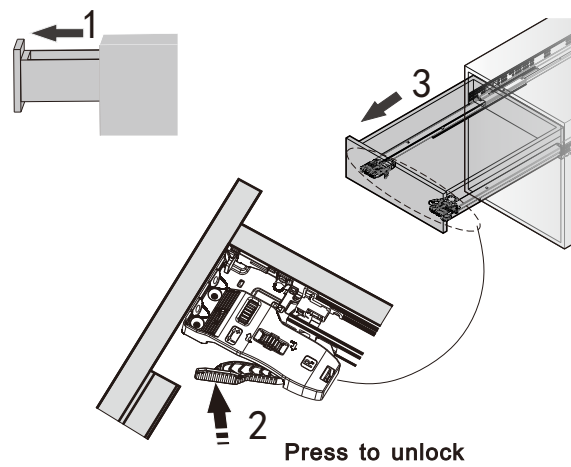
### Drawer back preparation, 3D Locking device installation



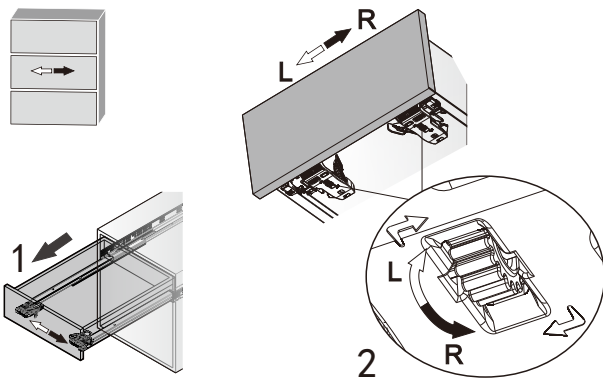
### Drawer installation



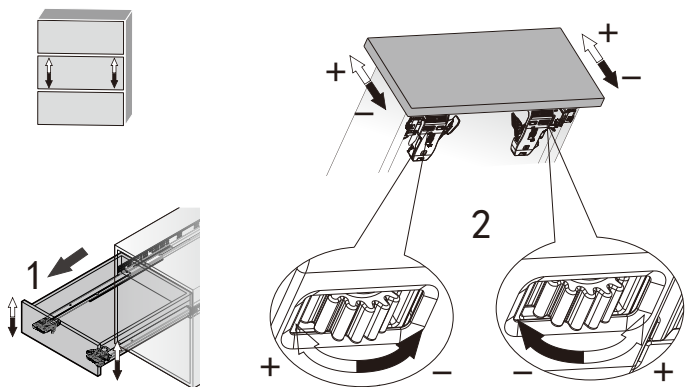
### Removal of the drawer



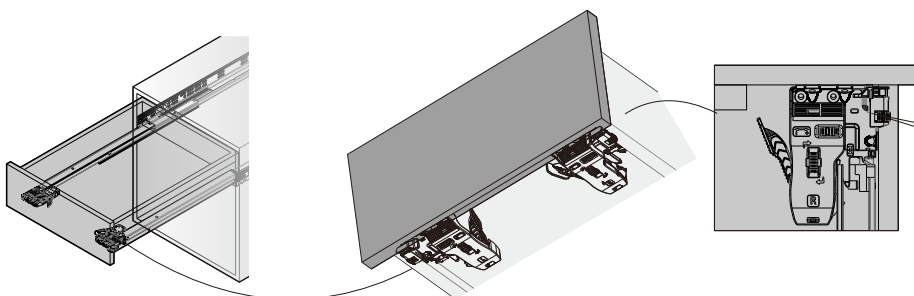
### Side adjustment



### Height adjustment



### Depth adjustment



\* Push-open slide:  
depth adjustment is not allowed